

# THE 1810COMPANY

Stainless Steel Manufacture Factory

DRAWING NO.:

SET-B

Edition 0

Sheet 1/1

Designed by

Checked by

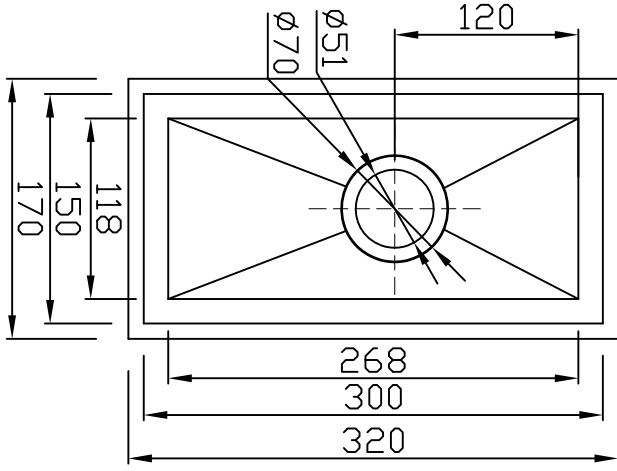
Approved by - date

Material S/S 304 T=1.2mm

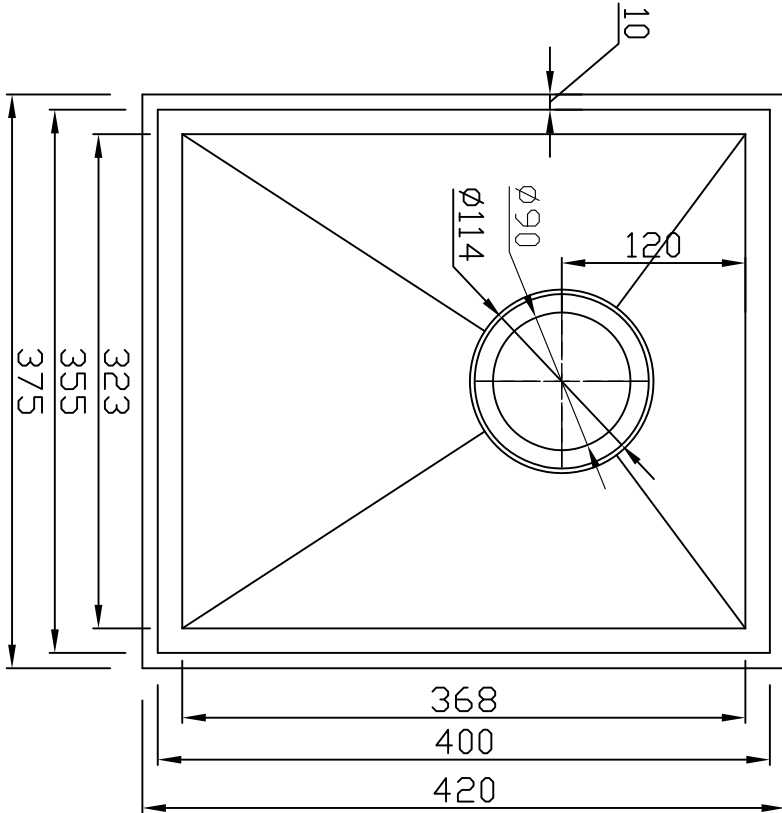
Date 2018-5-2

Scale 1:7

MODEL-2



MODEL-3



RevNo	Revision note	Date	Signature	Checked
1				
2				
3				
4				