

# THE 1810COMPANY

Stainless Steel Manufacture Factory

DRAWING NO.:

SET-A

Edition 0

Sheet 1/1

Designed by

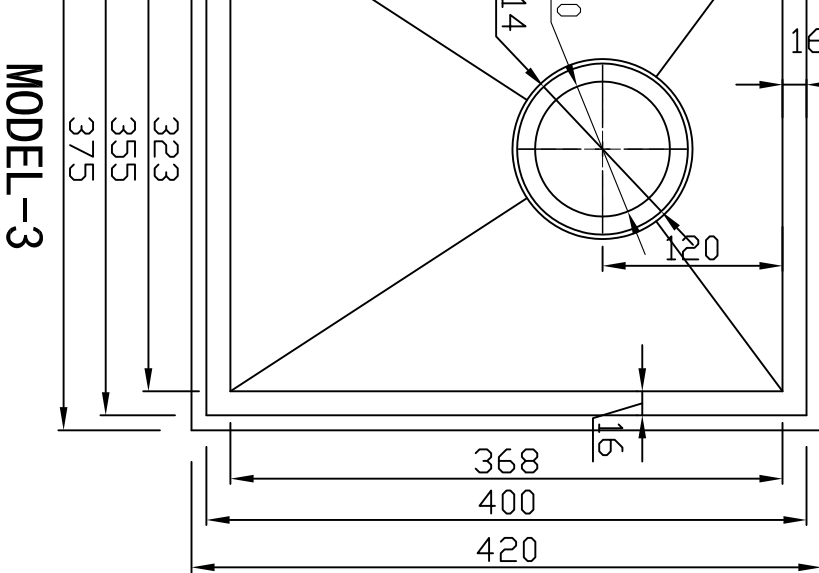
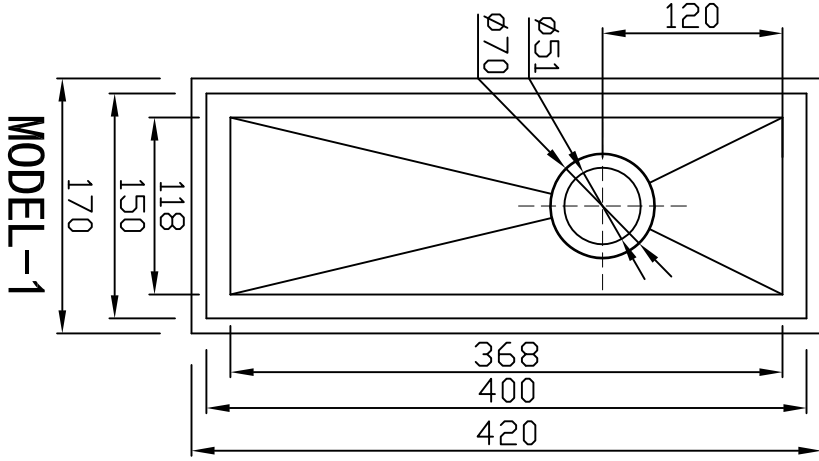
Checked by

Approved by - date

Material S/S 304 T=1.2mm

Date 2018-6-21

Scale 1:7



MODEL-1

MODEL-3

RevNo	Revision note	Date	Signature	Checked
1				
2				
3				
4				