

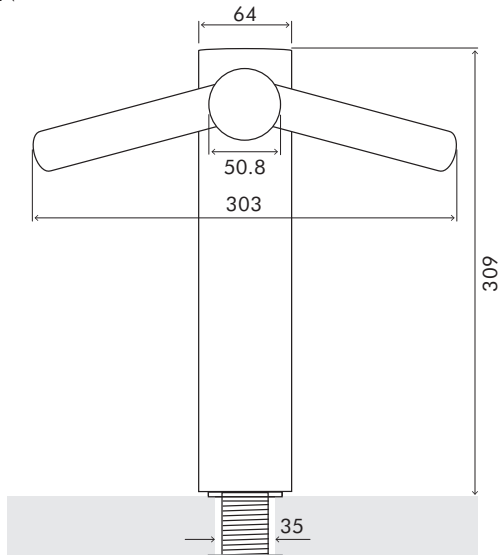
TECHNICAL SPECIFICATION



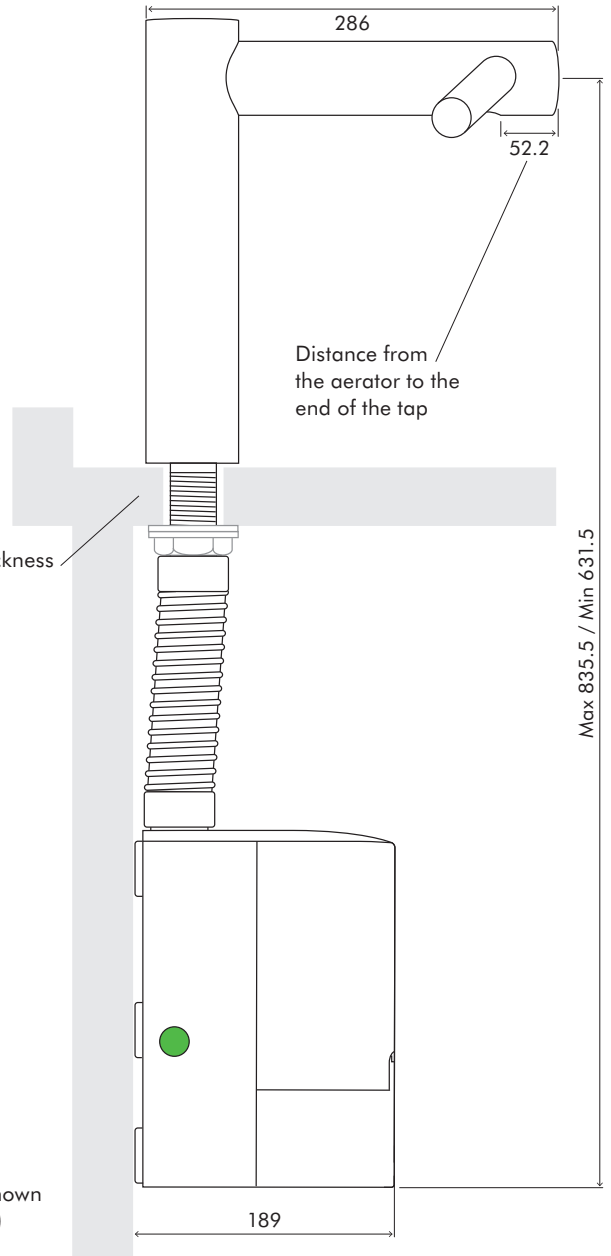
Tall

WD WD WD
04 05 06

FRONT ELEVATION



SIDE ELEVATION



Fixing locations (4)

Water entry point

Fixing locations (4)

Z

372

Fixing locations (4)

266

Rear cable entry point

Fixing locations (4)

All dimensions shown in mm (+/-5 mm)

142

Basin/worktop thickness
Max 57 Min 3.5

Max 835.5 / Min 631.5

189

FLOOR

Tap dimensions

WD05 Height 309 mm Width 303 mm Depth 286 mm

Motor bucket dimensions

WD05 Height 266 mm Width 142 mm Depth 189 mm

Minimum clearance

Z 100 mm clearance from floor